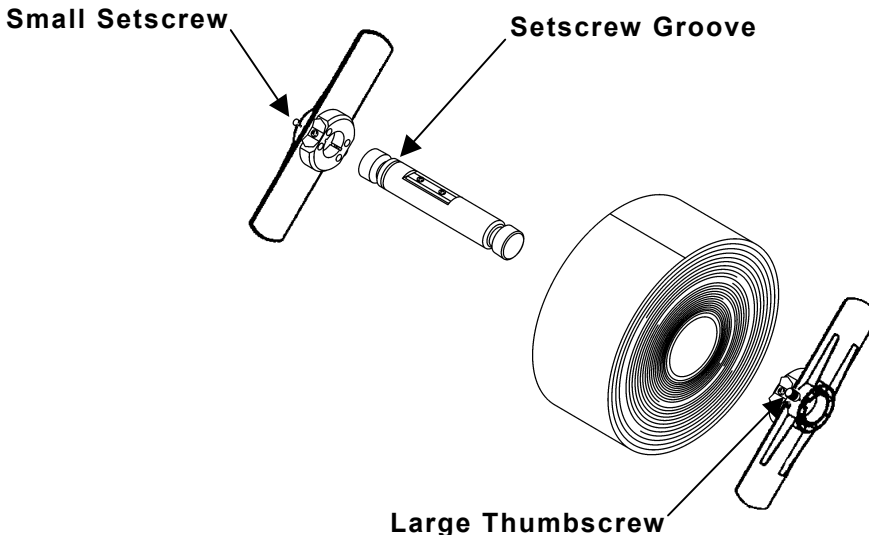


USING THE EXTERNAL UNWINDER

The Monarch® 945™ External Unwinder is an optional device used with the Monarch® 9855® and 9860® Printers. The unwinder is capable of holding a 12 inch roll of supply. It unrolls inside or outside wound supplies. The unwinder comes assembled. These instructions help explain how to set up and use the unwinder.

Assembling the Winding Axle Flanges

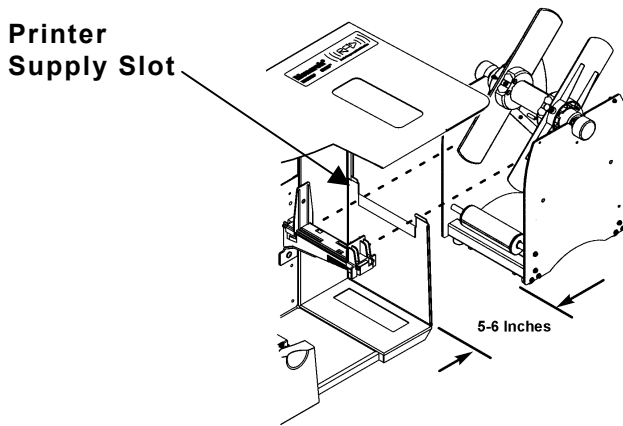
1. Slide the flange with the small setscrew on the axle end that has a setscrew groove. Make sure the setscrew seats in the groove and tighten it.



2. Slide the roll of supply onto the axle then the flange with the large thumbscrew and tighten it.
3. Place the axle assembly into the notches of the unwinder frame.

Aligning the Unwinder with the Printer

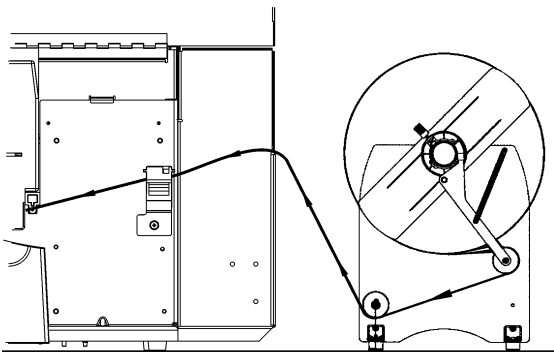
1. Visually line up the unwinder axle flanges to the supply slot on the printer. Move the unwinder about five to six inches away from the printer. The following art shows the unwinder rotated for outside wound supplies.



2. Rotate the unwinder 180 degrees for inside wound supplies and repeat the previous steps.

Supply Path Diagrams

Outside Wound Labels



Inside Wound Labels

